

AERON Ranger

Rugged pan/tilt camera with video and zoom thermal

The Aeron Ranger is the perfect solution for long range surveillance applications, providing the best performance available within a rugged pan and tilt casing of this size.

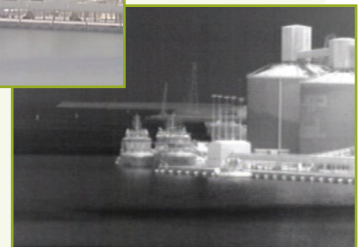
The Aeron Ranger employs DRS' proven un-cooled high resolution 640x480 (DB), 17µm VOx thermal imaging technologies to provide man detection up to 3.3 kilometres. The thermal uses ICE to enhance contrast and features continuous digital zoom. All models also offer simultaneous video verification provided by a 36x zoom module or 30x HD zoom module.

As with all Aeron units, everything is fully housed within a hard anodised aluminium casing, fully rated to IP67 and ready to handle the harshest environments. The toughened, optically flat glass provides clear images, even at the highest zoom levels and can be kept clean at all times by the compact wiper unit. Optical encoders for both the pan and tilt axes provide highly accurate positioning and repeatability, allied with self-correction systems that will counteract any external interference with the moving head.

The Aeron Ranger can be mounted upright or inverted and the yoke can be offset to eliminate blindspots through a full 360 degrees of rotation. Mounting accessories are available to suit standard mounting platforms, including 4" PCD.

Key features

- HD and SD video option
- ICE - Image enhancement technology
- Industry leading 17µm thermal technology
- Man detection to 3.3km
- IP and HD-SDI option
- Simultaneous video and thermal outputs
- Optical Encoders providing positional feedback
- IP67 Environmental Protection (IP68 option)
- 316L Stainless Steel option
- 640x480 thermal core
- Optically correct window with wiper



The Silent Sentinel Range

Silent Sentinel offer an extensive range of camera and lens configurations to meet your exact surveillance requirements.

Contact customer service for more information on our full range of products and bespoke design and build services.

Tel: 02 8850 5110

www.infratherm.com.au



OCULUS



AERON



OSIRIS



JAEGAR

AERON

Aeron standard and HD video range

Video type	SD	HD
Optical zoom	40x	30x
Digital Enlargement	12x (360x combined)	12x (360x with optical zoom)
Image Sensors	1/2" Super HAD CCD	1/2.8" type Exmor CMOS sensor
Resolution	670TVL	Approx 3.27 million
Signal System	PAL	HD: 1080p/SD: NTSC/PAL
Lens (wide to tele)	F=3.06mm to 122.4mm F1.6 to F4.5	f=4.3mm to 129.0mm, F1.6 to F4.7
Angle of view - horizontal	60.° (W) to 1.6° (T)	54.1° (W) to 2.9° (T)
Minimum illumination (SOIRE)	0.6 lux Colour, 0.01lux Mono	1.7 lux, 0.5 lux in High Sens Mode
Video output	Composite	Digital/IP

Aeron thermal range

Video type	Thermal
Sensor type	Uncooled VOx Microbolometer
Pixel size	17µ
Spectral band	8-14µm
Thermal sensitivity	<50mK
Array format	640x480
Frames rates	9Hz, 25Hz
Image control	White hot, Black hot, Invert
Focus	Fixed, preset, Athermalised
Zoom	E-zoom 1-4, Region of interest
FOV	6° - 100mm f1.6
Video Output	Composite

Mechanical specifications

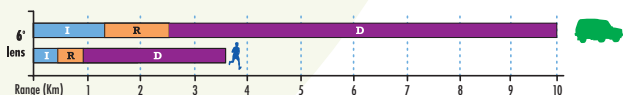
Construction	Die-cast hard anodised, powder coated aluminium with A4 stainless fittings
Turning diameter	Normal 340mm / 13.40" Offset 370mm / 14.57"
Height Height with adaptor	370mm / 14.57" 500mm / 19.68"
Pan rotation limit / speed	360° continuous / 180° per second (excluding ramping)
Tilt rotation limit / speed	+90° to -30° upright (-68° inclined) +30° to -90° inverted 180° per second (excluding ramping)
Weight (with adaptor)	9.3Kg (10.3Kg) 20.70lb (22.90lb)
Mounting profile	Upright or inverted
Pan/tilt bearings	Sealed for life - no maintenance required
Motor drive	Long life toothed polypropylene belt drive Pulleys bonded to keypad shafts for minimum backlash
Environmental rating	IP67
Operating temperature range (ambient, dry)	-20°C to +60°C (-40°F to +60°C with optional heater) -4°F to +150°F (-40°F to +150°F with optional heater)
Mounting	4" PCD mount
Connection socket	IP67 Neptune multi-way SD, IP67 Marine HD-SDI option and IP67 IP option

Electrical, electronic and software specifications

Optical encoder preset accuracy	0.01°
Rotational contacts	Heavy duty slip rings for power, data, video, switching for washer
Position control	"Capable of retaining position without drift Automatic position recovery if forced away by a "non-control" intervention"
Roll around mode	Auto 180° pan spin when tilt reaches end of travel while following subjects
Configuration	Via on screen menus
Presets	127 + wash preset (repeatability 0.05°)
Tours	16 preset tours (maximum of 60 positions each), four 8 minute mimic tours
Privacy zones	Maximum of eight on-screen simultaneously
Communications	Coaxial or RS485 half duplex data comms with absolute positioning output
Supported protocols	Pelco-D, Pelco-P, CBC OCP485, Forward Vision Mic1 FV300, Philips, Vicon.
Power requirements	"At Oculus unit: 14 to 36VDC or 14 to 26VAC, 45W peak (100W with optional heater) Supplied PSU requires 230VAC. 12VDC support on some models"
Additional details	In-built real-time clock

Detection, Recognition, Identification range charts

DB Type Thermal



Key to Johnson's Criteria charts

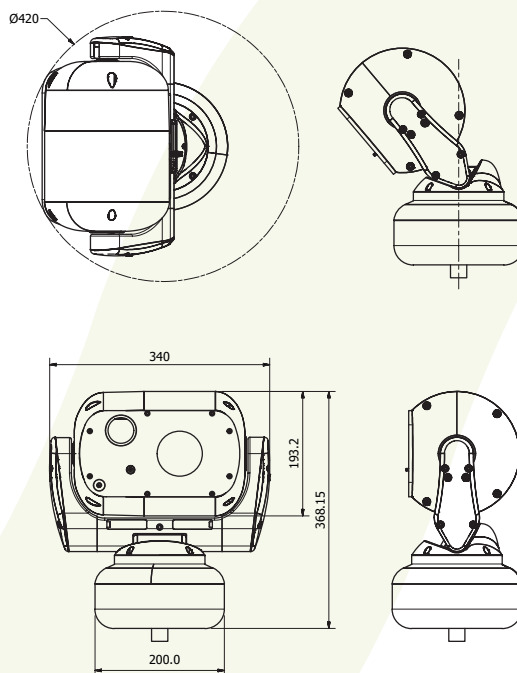
- D** Detection - an object is present (-2 pixels)
- R** Recognition - the object can be discerned (- 8 pixels)
- I** Identification - the object can be identified e.g. male versus female, a specific car (- 12.8 pixels)

Note: Ranges may vary depending on atmospheric conditions

Ordering Information

Product code	Product description
RC4-PRANGERFB	Aeron PT Thermal/Video, 6° (100mm) 640x480 25Hz plus 40:1 Sony Video, Black
RC4-PRANGERFW	Aeron PT Thermal/Video, 6° (100mm) 640x480 25Hz plus 40:1 Sony Video, White
RC4-PRANGERFSS	Aeron PT Thermal/Video, 6° (100mm) 640x480 25Hz plus 40:1 Sony Video, Stainless Steel
RC4-HRANGERFB	Aeron PT Thermal/Video, 6° (100mm) 640x480 25Hz plus HD 30:1 HD-SDI Sony Video, Black
RC4-HRANGERFW	Aeron PT Thermal/Video, 6° (100mm) 640x480 25Hz plus HD 30:1 HD-SDI Sony Video, White
RC4-HRANGERFSS	Aeron PT Thermal/Video, 6° (100mm) 640x480 25Hz plus HD 30:1 HD-SDI Sony Video, Stainless Steel
RC4-IRANGERFB	Aeron PT Thermal/Video, 6° (100mm) 640x480 25Hz plus HD 30:1 Sony Video IP, Black
RC4-IRANGERFW	Aeron PT Thermal/Video, 6° (100mm) 640x480 25Hz plus HD 30:1 Sony Video IP, White
RC4-IRANGERFSS	Aeron PT Thermal/Video, 6° (100mm) 640x480 25Hz plus HD 30:1 Sony Video IP, Stainless Steel

Dimensions (in millimeters)



Designed and manufactured in the UK.

SILENT SENTINEL
VISION & MOTION CONTROL

INFRATHERM PTY LTD
Unit 38 / 9 Hoyle Avenue
CASTLE HILL, NSW 2154 AUSTRALIA

Australian & New Zealand Distributor:

Infratherm Pty Ltd
INFRARED TECHNOLOGY
www.infratherm.com.au

Specifications may be subject to change without notice • DN290814 - 1.1c • © 2014

Tel 02 8850 5110 | Fax 02 96341175
Email information@infratherm.com.au
Web www.infratherm.com.au