

AERON TI

Rugged pan/tilt camera with video and thermal zoom options

The Aeron TI is the perfect solution for long range surveillance applications, providing the best performance available within a marine grade rugged pan and tilt casing of this size.

The Aeron TI employs DRS' proven un-cooled of 320 x 240 (DA) and high resolution 640x480 (DB), 17µm VOx thermal imaging technologies to provide man detection up to 3.4 kilometres. The thermal utilises ICE to enhance contrast and features fixed or zoom lenses of 3x or 6x optical zoom, unique in a housing of this size. All models also offer simultaneous video verification provided by a 36x zoom module or a 30x HD zoom module.

The Aeron TI is fully housed within a hard anodised aluminium casing, fully rated to IP67 and ready to handle the harshest environments. The toughened, optically flat glass provides clear images, even at the highest zoom levels and can be kept clean at all times by the compact wiper unit. Optical encoders for both the pan and tilt axes provide highly accurate positioning and repeatability, allied with self correction.

Key features:

- HD and SD video option
- ICE - Image enhancement technology
- 640 and 320 resolution thermal cores
- Man detection up to 3.4km
- 3x and 6x motorized continuous thermal zoom
- Simultaneous video and thermal outputs
- Optical encoders providing positional feedback
- IP67 Environmental Protection (IP68 Option)
- 316L Stainless steel option
- Preset, tours and privacy masking
- Optically correct window with wiper
- IP and HD-SDI option



The Silent Sentinel Range

Silent Sentinel offer an extensive range of camera and lens configurations to meet your exact surveillance requirements.

Contact customer service for more information on our full range of products and bespoke design and build services.

Tel: 02 8850 5110
www.infratherm.com.au



OCULUS



AERON



OSIRIS



JAEGAR

Aeron standard thermal range

Thermal cameras zoom	SD-RES	HI-RES	SD-RES	HI-RES	HI-RES	HI-RES
Optical zoom	n/a	n/a	n/a	n/a	3x	6x
Sensor type	Uncooled VOx Microbolometer	Uncooled VOx Microbolometer	Uncooled VOx Microbolometer	Uncooled VOx Microbolometer	Uncooled VOx Microbolometer	Uncooled VOx Microbolometer
Pixel size	17µ	17µ	17µ	17µ	17µ	17µ
Spectral band	8-14µm	8-14µm	8-14µm	8-14µm	8-14µm	8-14µm
Thermal sensitivity	<50mK	<50mK	<50mK	<50mK	<50mK	<50mK
Array format	320x240	640x480	320x240	640x480	640x480	640x480
Frame rates	9Hz, 25Hz	9Hz, 25Hz	9Hz, 25Hz	9Hz, 25Hz	9Hz, 25Hz	9Hz, 25Hz
Image control	White hot, Black hot, Invert	White hot, Black hot, Invert	White hot, Black hot, Invert	White hot, Black hot, Invert	White hot, Black hot, Invert	White hot, Black hot, Invert
Focus	Fixed, preset, Athermalised	Fixed, preset, Athermalised	Fixed, preset, Athermalised	Fixed, preset, Athermalised	Fixed, preset, Athermalised	Fixed, preset, Athermalised
Zoom	E-zoom 1-4, Region of interest	E-zoom 1-4, Region of interest	E-zoom 1-4, Region of interest	E-zoom 1-4, Region of interest	E-zoom 1-4, Region of interest	E-zoom 1-4, Region of interest
FOV	5° - 65mm f1.6	9° - 65mm f1.6	3° - 100mm f1.6	6° - 100mm f1.6	5.9° - 18° 35-105mm f1.6	6.2° - 42° 15-100mm f1.4
Video output	Composite	Composite	Composite	Composite	Composite	Composite

Aeron standard video range

Video cameras	SD	HD
Part no.	PYK40XB	IYJ30XB
Optical zoom	40x	30x
Digital enlargement	12x (480x combined)	12x (360x with optical zoom)
Image sensors	1/4" Super HAD CCD II	1/2.8" type Exmor CMOS sensor
Resolution	670TVL	Approx 3.27 million
Signal system	PAL	HD: 1080p/SD:NTSC/PAL
Lens (wide to tele)	F=3.06mm to 122.4mm F1.6 to F4.6	f=4.3mm to 129.0mm, F1.6 to F4.7
Angle of view – horizontal	60.° (W) to 1.6° (T)	54.1° (W) to 2.9° (T)
Minimum illumination (50IRE)	0.6lux Colour, 0.01lux Mono	1.7 lux, 0.5 lux in high sens mode
Video output	Composite	HD-SDI (IP option)

Mechanical specifications

Construction	Die-cast hard anodised, powder coated aluminium with A4 stainless fittings	
Turning diameter	Normal 220mm / 8.66"	Offset 370mm / 14.57"
Height	370mm / 14.57"	340mm / 13.38"
Height with adaptor	500mm / 19.68"	470mm / 18.50"
Pan rotation limit / speed	360° continuous / 180° per second (excluding ramping)	
Tilt rotation limit / speed	+90° to -30° upright (-60° inclined) +30° to -90° inverted 180° per second (excluding ramping)	
Weight (with adaptor)	9.3Kg (10.3Kg) 20.70lb (22.90lb)	
Mounting profile	Upright or inverted	
Pan/tilt bearings	Sealed for life – no maintenance required	
Motor drive	Long life toothed polypropylene belt drive Pulleys bonded to keypad shafts for minimum backlash	
Environmental rating	IP67	
Operating temperature range (ambient, dry)	-20°C to +60°C (-40°C to +60°C with optional heater) -4°F to +140°F (-40°F to +140°F with optional heater)	
Mounting	4" PCD mount	
Connection lead	IP67 Neptune multi-way connector with 10m composite lead	

Electrical, electronic and software specifications

Optical encoder preset accuracy	0.01°
Rotational contacts	Heavy duty slip rings for power, data, video, switching for washer
Position control	"Capable of retaining position without drift, Automatic position recovery if forced away by a "non-control" intervention"
Roll around mode	Auto 180° pan spin when tilt reaches end of travel while following subjects
Configuration	Via on screen menus
Presets	127 + wash preset (repeatability 0.05°)
Tours	16 preset tours (maximum of 60 positions each), four 8 minute mimic tours
Privacy zones	Maximum of eight on-screen simultaneously
Communications	Coaxial or RS485 half duplex data comms with absolute positioning output
Supported protocols	Pelco-D, Pelco-P, CBC OCP485, Forward vision mic1 FV300, Philips, Vicon.
Power requirements	"At Oculus unit: 14 to 36VDC or 14 to 26VAC, 45W peak (100W with optional heater) supplied PSU requires 230VAC. 12VDC support on some models"
Additional details	In-built real-time clock

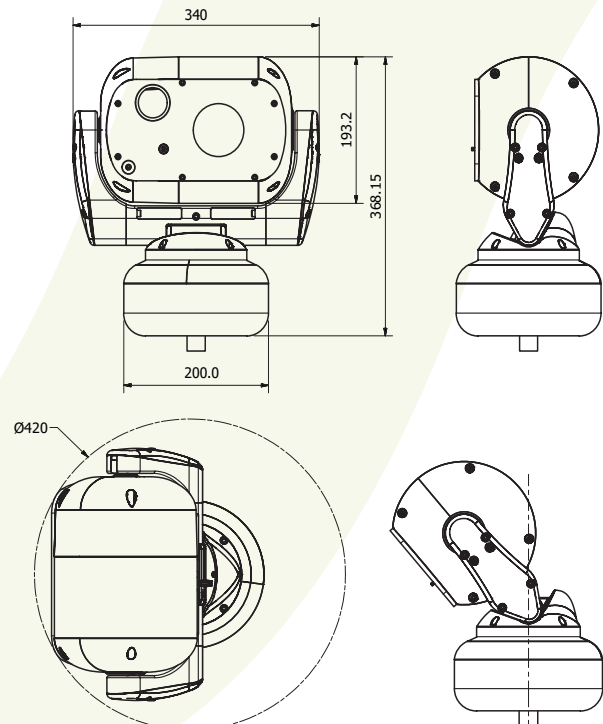
Specifications may be subject to change without notice • DN170714 - 1.1c • © 2014

Ordering Information

Product code	Product description
RC4-51PYK40X-DA04FB	Aeron PT Thermal/Video, 5° (65mm) 320x240 25Hz plus 40:1 Sony Video, Black
RC4-51PYK40X-DA03FB	Aeron PT Thermal/Video, 3° (100mm) 320x240 25Hz plus 40:1 Sony Video, Black
RC4-51PYK40X-DB09FB	Aeron PT Thermal/Video, 9° (65mm) 640x480 25Hz plus 40:1 Sony Video, Black
RC4-51PYK40X-DB06FB	Aeron PT Thermal/Video, 6° (100mm) 640x480 25Hz plus 40:1 Sony Video, Black
RC4-51PYK40X-DB15Z100FB	Aeron PT Thermal/Video, 6.2° - 4.2.2° Zoom (15-100m) 640x480 25Hz plus, Black
RC4-51PYK40X-DB35Z100FB	Aeron PT Thermal/Video, 5.9° - 18° Zoom (35-100m) 640x480 25Hz plus, Black
RC4-51HYJ30X-DA04FB*	Aeron PT Thermal/Video, 5° (65mm) 320x240 25Hz plus HD 30:1 HD-SDI Sony Video, Black
RC4-51HYJ30X-DA03FB*	Aeron PT Thermal/Video, 3° (100mm) 320x240 25Hz plus HD 30:1 HD-SDI Sony Video, Black
RC4-51HYJ30X-DB09FB*	Aeron PT Thermal/Video, 9° (65mm) 640x480 25Hz plus HD 30:1 HD-SDI Sony Video, Black
RC4-51HYJ30X-DB06FB*	Aeron PT Thermal/Video, 6° (100mm) 640x480 25Hz plus HD 30:1 HD-SDI Sony Video, Black
RC4-51HYJ30X-DB15Z100FB*	Aeron PT Thermal/Video, 6.2° - 4.2.2° Zoom (15-100mm) 640x480 25Hz plus HD 30:1 HD-SDI Sony Video, Black
RC4-51HYJ30X-DB35Z100FB*	Aeron PT Thermal/Video, 5.9° - 18° Zoom (35-100mm) 640x480 25Hz plus HD 30:1 HD-SDI Sony Video, Black

*IP option available. Note: Also available in White and Stainless steel. Change "B" at the end of the product code to "W" or "SS"

Dimensions (in millimeters)



Australian & New Zealand Distributor:

Infratherm pty ltd
INFRARED TECHNOLOGY

Tel 02 8850 5110 | Fax 02 96341175
Email information@infratherm.com.au
Web www.infratherm.com.au