

## Soter RS Security body-scanner - specifications -

General Characteristics	<ul style="list-style-type: none"> <li>- Number of elements in the image 2678x1200</li> <li>- Time of scanning 10 seconds</li> <li>- Contrast resolution 1%</li> <li>- Space resolution 1-2 mm low contrast items and 0.15 mm high contrast items</li> </ul>
Power consumption	- 2 kW, 220V, 60 Hz, 13 Amp.
X-ray Generator	<ul style="list-style-type: none"> <li>- Anode voltage – 100-160 KV</li> <li>- Tube current – 2.4 to 3.5 mA</li> <li>- Water-cooled</li> <li>- 24 hours operational time.</li> </ul>
Stability	<ul style="list-style-type: none"> <li>- Mounted into the floor</li> <li>- Solid frame construction (vandalism proof)</li> </ul>
Safety	<ul style="list-style-type: none"> <li>- Emission per scan &lt; 2,5 microsievarts</li> <li>- The radiation of one scan is equivalent to approximately half a day of exposure to naturally occurring background radiation or 40-60 minutes flight by plane.</li> <li>- Operator will not be exposed to radiation</li> </ul>
Operation	<ul style="list-style-type: none"> <li>- Training on how to operate the Soter RS takes less than 1 hour.</li> <li>- For recognising the contraband the operator will join a one day training.</li> </ul>

# SOTER RS

## security bodyscan

Safety... takes just a few seconds

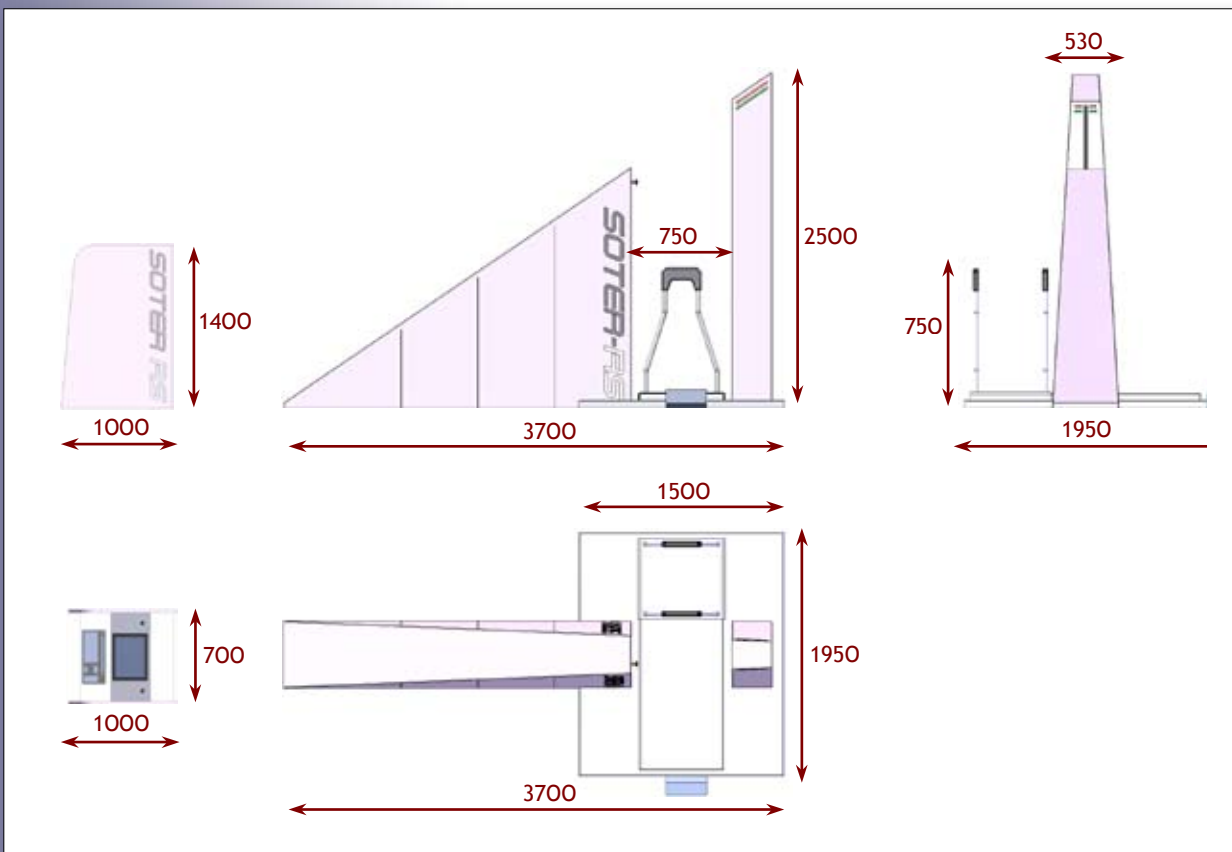


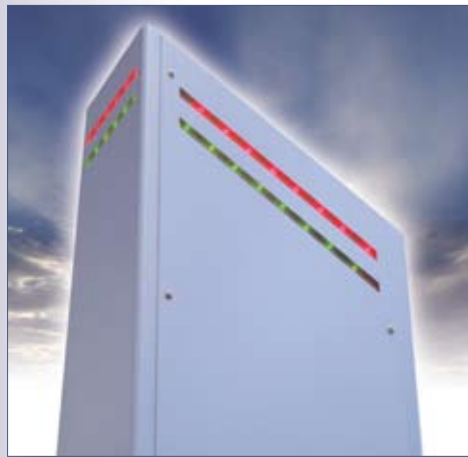
Your partner in the fight  
against terrorism and drugs



Edisonsstraat 22, 8912 AW Leeuwarden, The Netherlands  
Phone +31-(0)58-29 88 888, Fax: +31-(0)58-29 88 768  
info@odsecurity.com, www.odsecurity.com

Phone +31-(0)58-29 88 888, Fax: +31-(0)58-29 88 768, info@odsecurity.com, www.odsecurity.com





## Soter RS Security body-scanner.

Intrusive whole body, clothing or body cavities searches of a suspect can involve local or federal legal representatives, security and medical personnel and possibly a trip to a medical facility. All these activities take a lot of time. The Soter RS body-scanner can undertake whole body, clothing or body searches within 10 seconds.

(In the ancient times when a leader had freed or saved a city from oppression, siege, taxes etc., one way of revering him whilst still alive was to give him the title Soter. RS stands for reveal scanning.)

Metal detectors are used for passenger screening. The metal detectors used on passengers cannot detect non-metallic objects hidden under clothes, in natural cavities or within the human body. These typically non-detectable items such as narcotics, explosives, precious stone and diamonds, plastic weapons, electronic and video equipment or other contraband can only be detected by highly intrusive total body searches.

The Soter RS is the best solution for finding everything hidden in or outside the human body within a short time.

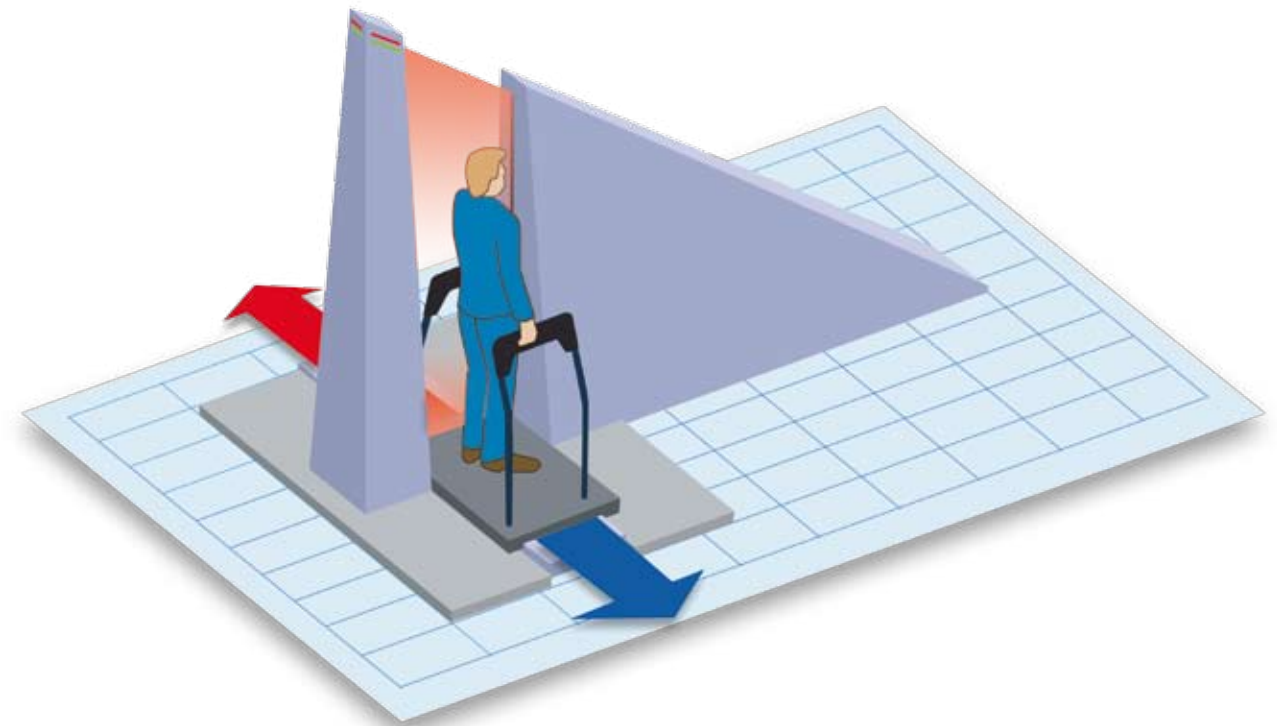
The operating principle of the Soter RS is based on the use of a very narrow collimated x-ray beam. The exposure is read by a highly sensitive linear multi-element semiconductor detector, which sends its output to a proprietary software interpolation and enhancement process. The exposure dose for the passenger is less than 3 microsieverts.

The result is a detailed full height, high-resolution image on the operator's workstation within 10 seconds.



## The Soter RS advantages:

- ♦ Full body-scan within 10 seconds
- ♦ No controversial privacy issues
- ♦ Detect contraband in and on the human body with one scan
- ♦ Head to toe image
- ♦ No need for strip searches
- ♦ Significant upgrade of the security tasks



## The Soter RS detects:

- ♦ Dangerous objects made of both inorganic materials (guns, knives, detonators, electronics, jewels, minerals and metals) and organic materials (plastic explosives, drugs) hidden under clothing.
- ♦ Smuggling of contraband hidden in the natural cavities of the body

